

RIC LightMaster™

UBGRN, UBRED, UBWHT

Ultra Bright LED Lights for Model Aircraft

USER MANUAL

Features:

- 1 Watt
- 45 Lumens of Light Output
- 140 degree viewing angle
- Plugs directly into R/C LightMaster™ controllers
- 4.8V to 6.0V power source
- 22 gage wire

Specifications:

- 0.224" (5.7mm) Diameter Lens Dome
- Mounting rectangle 0.47" x 0.29" (12mm x 7.4mm)
- Draws 350mA when sourced with 6.0V
- 0.34oz (9.5g) complete with connector and 2 feet of wire

ULTRA BRIGHT LIGHT SERIES (UBWHT, UBGRN, UBRED):

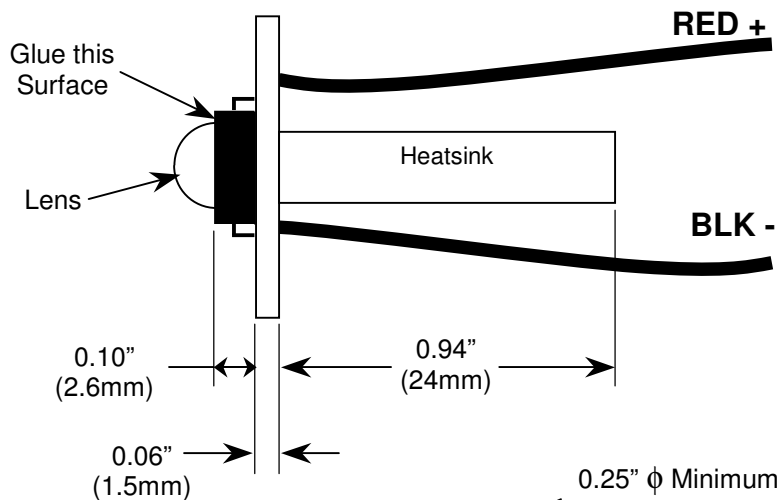
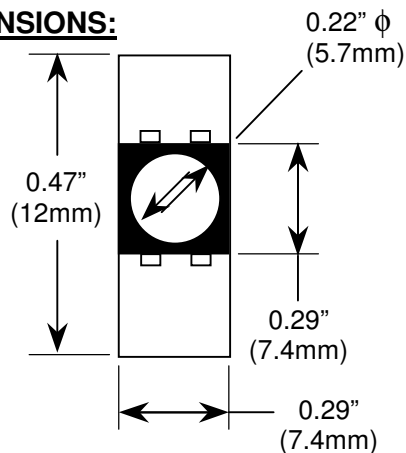
The Ultra Bright series of LED lights by R/C LightMaster™ are brilliant enough to be seen in the air, even on sunny days. They have a tiny footprint, which makes installation a breeze. Each light, complete with connector, heat sink, and 2 feet of wire, weighs only 0.34oz.

USING THE LIGHT:

This Ultra-Bright LED is designed for use with the R/C LightMaster™ Lighting Controller. Use of this LED with any other controller will be at your own risk and will nullify the warranty.

The Black wire is negative (-) and the Red wire is positive (+). Make sure they are plugged into the controller correctly.

DIMENSIONS:



RUNNING WIRES:

- A 3/16" diameter passage is required without the connector on the wire
- A 1/4" diameter passage is required for the connector to pass through

NOTE: Larger passages need to be provided if running more than one wire through the hole



MOUNTING THE LED:

- Drill a 7/32" hole through the surface.
- Apply gap filling CA to a toothpick and use the toothpick to apply glue to the LED base.
BE CAREFUL not to get CA on the lens!
- Press the LED lens through the hole and hold until cured. Use CA accelerator if you wish.
- It is highly recommended to build a support for the heat sink to keep the LED secured in place. Be careful not to insulate or enclose more than 1/4" of the heat sink with this support, or heat dissipation will be compromised.

If mounting through a thick surface (more than 3/32")—Provide relief on the back side for the LED base (black square) and the mounting plate (0.47" x 0.29" rectangle). The idea is to allow the LED lens to protrude through the surface as much as possible.

NOTES:

- The heat sink will get hot to the touch. This is expected due to the amount of power the LED draws.
- Do not use hot-melt glue to mount the LED's. The LED produces enough heat to soften this type of adhesive.
- Never operate the LED without the heat sink intact! Overheating can occur, damaging the LED and risking a fire!

RIC LightMaster™

Limited Warranty

Calamari LLC warrants this R/C LightMaster LED against any defects in material or workmanship for a period of 30 days from the date of original purchase. If the product becomes defective during this warranty period, Calamari LLC will repair it, or replace it at Calamari LLC's discretion, without charge for parts or labor, in accordance with the warranty service procedure described below. This warranty extends only to the original consumer buyer and is not assignable or transferable to any other person.

This Limited Warranty does not cover any damage to the product caused by faulty batteries, accident, misuse, faulty installation, improper maintenance, or repair or alteration by unauthorized persons or agents. This Limited Warranty also does not cover any Calamari LLC products purchased or used outside of the United States, Canada, and/or Mexico in any of their territorial possessions.

Repair or replacement of the product is the **SOLE AND EXCLUSIVE REMEDY** for any loss or damage, no matter what form or how arising, due to a defect in a Calamari LLC product. **THIS WARRANTY IS IN LIEU OF ALL OTHER WARRANTIES, EXPRESS, IMPLIED OR STATUTORY, INCLUDING, BUT NOT LIMITED TO ANY WARRANTIES OR MERCHANTABILITY OR FITNESS FOR A PARTICULAR PURPOSE, WITH ALL IMPLIED WARRANTIES DISCLAIMED TO THE FULLEST EXTENT PERMITTED BY LAW AND IN NO EVENT TO EXCEED 60 DAYS.** Some states do not allow limitations on how long an implied warranty lasts, so the above limitation may not apply to you.

CALAMARI LLC SHALL NOT BE LIABLE UNDER THIS LIMITED WARRANTY FOR ANY INCIDENTAL, CONSEQUENTIAL, INDIRECT OR SPECIAL DAMAGES, INCLUDING WITHOUT LIMITATION, LOSS OF PROFITS OR OTHER ECONOMIC DAMAGES. Some states do not allow the exclusion or limitation of incidental or consequential damages so that this above limitation or exclusion of incidental and consequential damages may not apply to you.

This Limited Warranty sets forth Calamari LLC's entire warranty for these products and may not be modified or supplemented by any written or oral statements by any person or in any other document. This Limited Warranty gives you specific legal rights, and you may also have other rights which vary from state to state.

Warranty Service Procedure

If you need service for your product under this Limited Warranty, you must deliver the product with proof of purchase to Calamari LLC at the address noted below at your expense before the end of the warranty period. All transportation, postage, and other charges to ship the product to Calamari LLC must be prepaid by you. Calamari LLC will not accept collect or postage due shipments. Calamari LLC will also not be responsible for any damages occurring during delivery to Calamari LLC. Include in the package a legible copy of the bill of sale and a written note which gives your name, return address and contact telephone number, e-mail address, a description of the product returned (model number, frequency and serial number) and a full explanation of the problem. Calamari LLC pays the cost of returning products serviced under this Limited Warranty.

Warranty returns should be sent to the following address:

Calamari LLC
113 N. Park Avenue
Fond du Lac, WI 54935
920-907-6159
service@CalamariLLC.com